

Multi-Messenger USB

Triggerable USB Flash Drive Messaging System



The Multi-Messenger USB is a state-of-the-art digital message repeater that installs easily into any messaging application that requires triggered or timed message play.

Messages are stored in MP3 format on any standard USB flash drive with no special software or drivers needed. The Multi-Messenger USB is capable of high-quality audio file playback of up to 128Kbps.

Messages are triggered either by the eight contact inputs on the rear of the unit or utilizing the built-in interval timer circuit. A wide variety of features such as an active output can be connected to LEDs or relays for activation when a message is playing or a stop trigger to terminate message play.

A built-in 12VDC auxiliary output allows motion detectors or heat sensors to be powered from the unit. All incoming triggers can be configured for normally-open or normally-closed triggering, as well as play once or play continuous. A rotate feature can be activated on the unit allowing for a different message to be played each time the main trigger is activated.

Programming of features is extremely easy by using the detailed instruction manual and setting the DIP switches on the bottom of the unit.

- ▶ Plays MP3 files from standard USB drives
- ▶ No drivers or special software needed
- ▶ Playback quality up to 128Kbps
- ▶ Playback up to 99 audio files
- ▶ Continuous, interval & triggered playback
- ▶ Background music feed-through
- ▶ Stop message play trigger
- ▶ Auxiliary 12VDC output for wiring sensors
- ▶ Built-in monitor speaker
- ▶ Exceptional dealer support
- ▶ LED status indicator
- ▶ 1-year parts and labor warranty

Specifications:

Playback MPEG (.mp3)
Frequency Response ... 20Hz to 20KHz
Bit/Sample Rate Up to 128Kbps/48KHz
Loading Type..... USB flash drive
Memory Type Flash
Memory Capacity USB drive dependent
Message Capacity Up to 99 messages
Message Playback Fully configurable
Power..... 12VDC @ 500mA
Audio Output 8Ω or 600Ω terminal strip
Size (H x W x D) 6.00" x 6.00" x 1.50"
Color Black
Shipping Weight 3 pounds



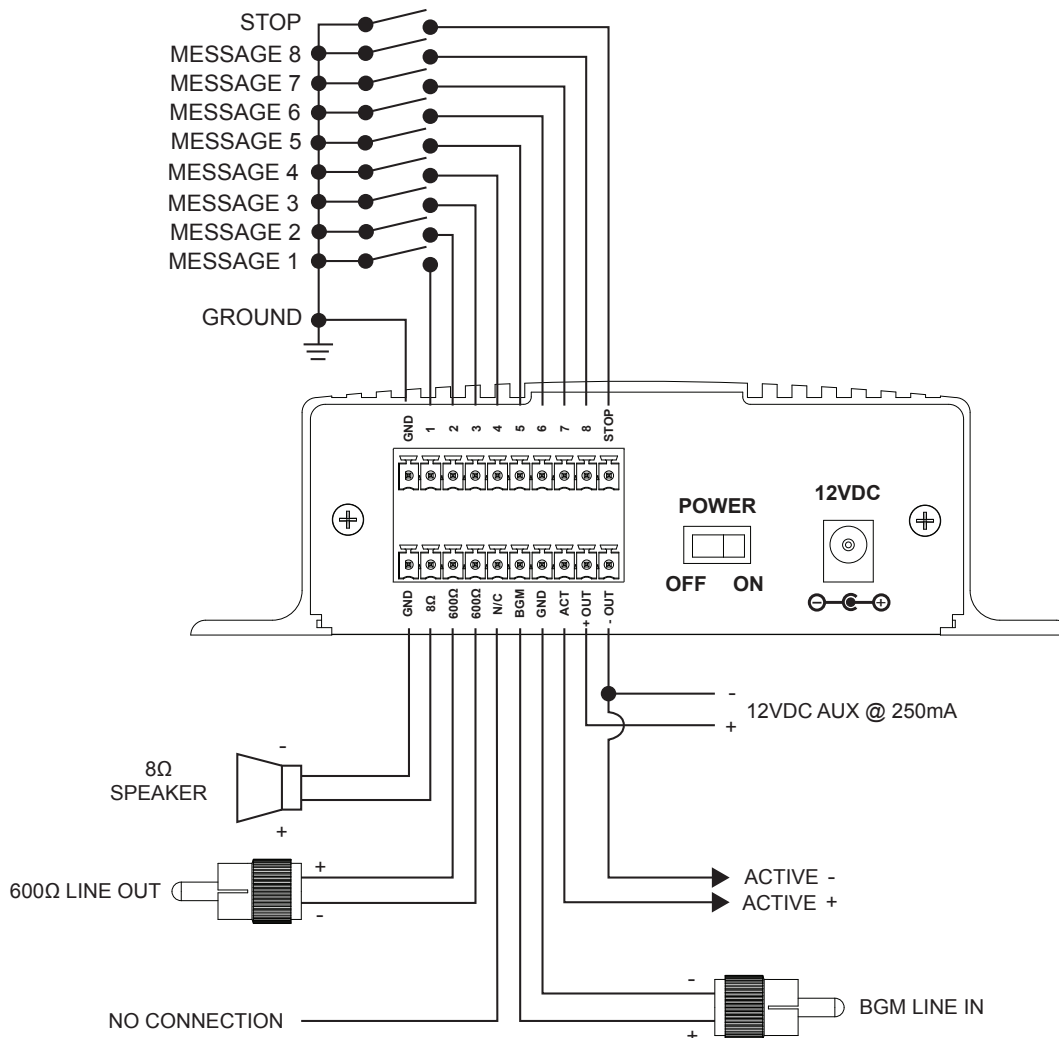
PICA Product Development • 4 Ash Street Extension • Derry, NH 03038
phone: 603 425 1096 • fax: 603 425 1827
picapd.com

Designed & Manufactured



In the USA

Mechanical Specifications



Rear View With Connections



FCC Part 15 : This equipment has been tested and found to comply within the limits for a Class A digital device, pursuant to Part 15 of the FCC rules. These limits are designed to provide reasonable protection against harmful interference when the equipment is operated in a commercial environment. This equipment generates, uses and can radiate radio frequency energy and, if not installed and used in accordance with the instruction manual, may cause harmful interference to radio communications. Operation of the equipment in a residential area is likely to cause harmful interference in which case the user will be required to correct interference at his own expense. In order to maintain compliance with FCC regulations shielded cables must be used with this equipment. Operation with non-approved equipment or unshielded cables is likely to result in interference to radio & television reception.

Changes or modifications not expressly approved by PICA Product Development could void the users' authority to operate the equipment.

IC ES 003 : This Class A digital apparatus complies with Canadian ICES-003. Cet appareil numérique de la classe A est conforme à la norme NMB-003 du Canada.

CE CONFORMITY : This unit conforms with the following standards, in accordance with the EU Safety, EMC Emissions, & EMC Immunities : EN 60950-1:2001, EN 55022:1998 for Class A, EN 55024:1998 + A1:2001 + A2:2003, EN 61000-4-2:1995 + A1:1998, EN 61000-4-3:1995, EN 61000-4-4:1995, EN 61000-4-5:1995, EN 61000-4-6:1996, EN 61000-5-11:1994.